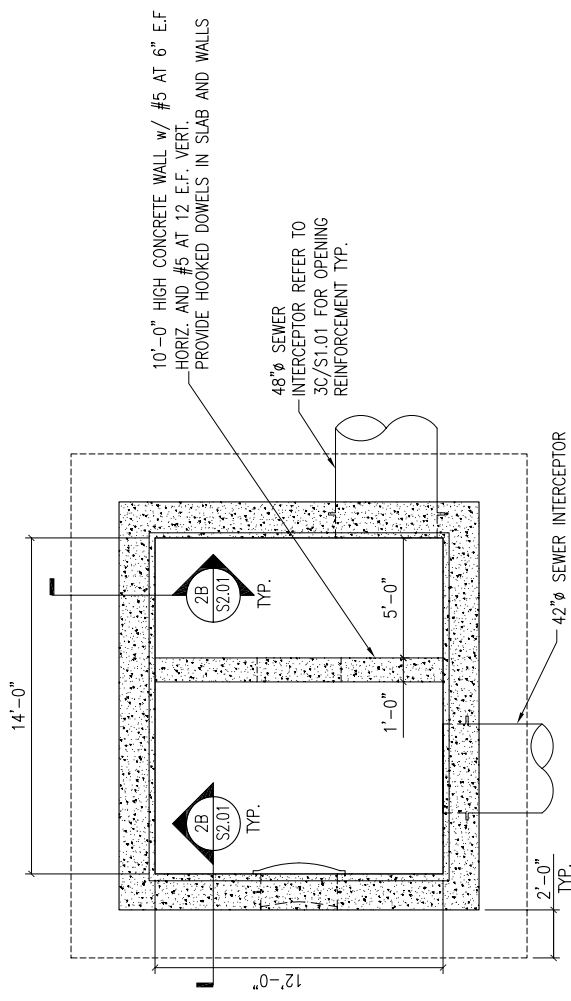
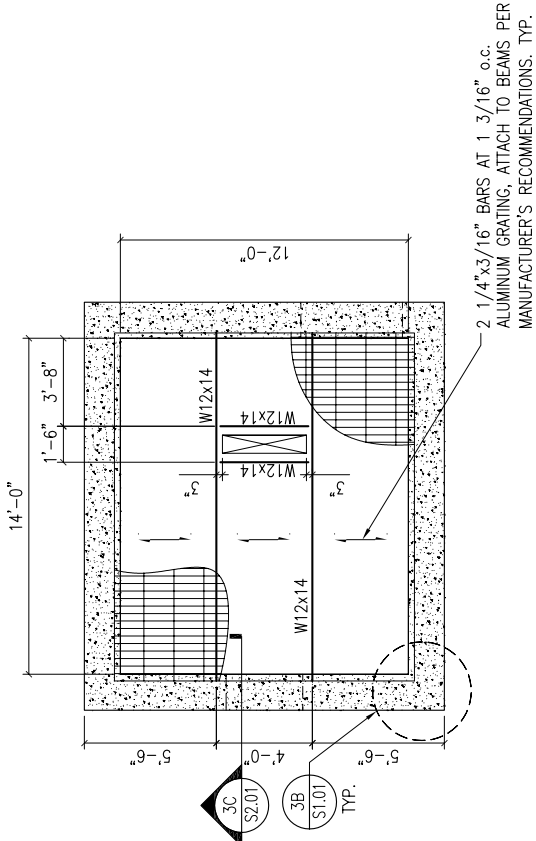


COORDINATE ALL OPENINGS DIMENSIONS AND LOCATIONS. TYP.



1A FOUNDATION PLAN AT FLOW DIVERSION
SCALE: 1/4"=1'-0"

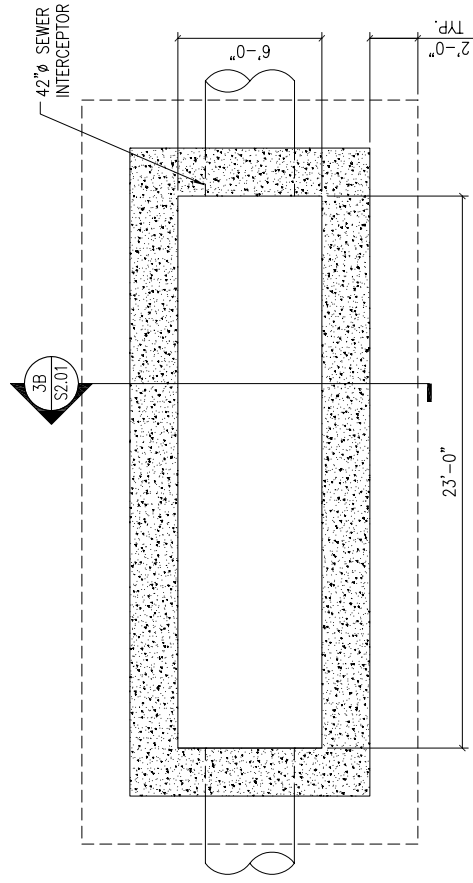
6:\16535.05\C-DET005



1B PLATFORM PLAN AT FLOW DIVERSION
SCALE: 1/4"=1'-0"

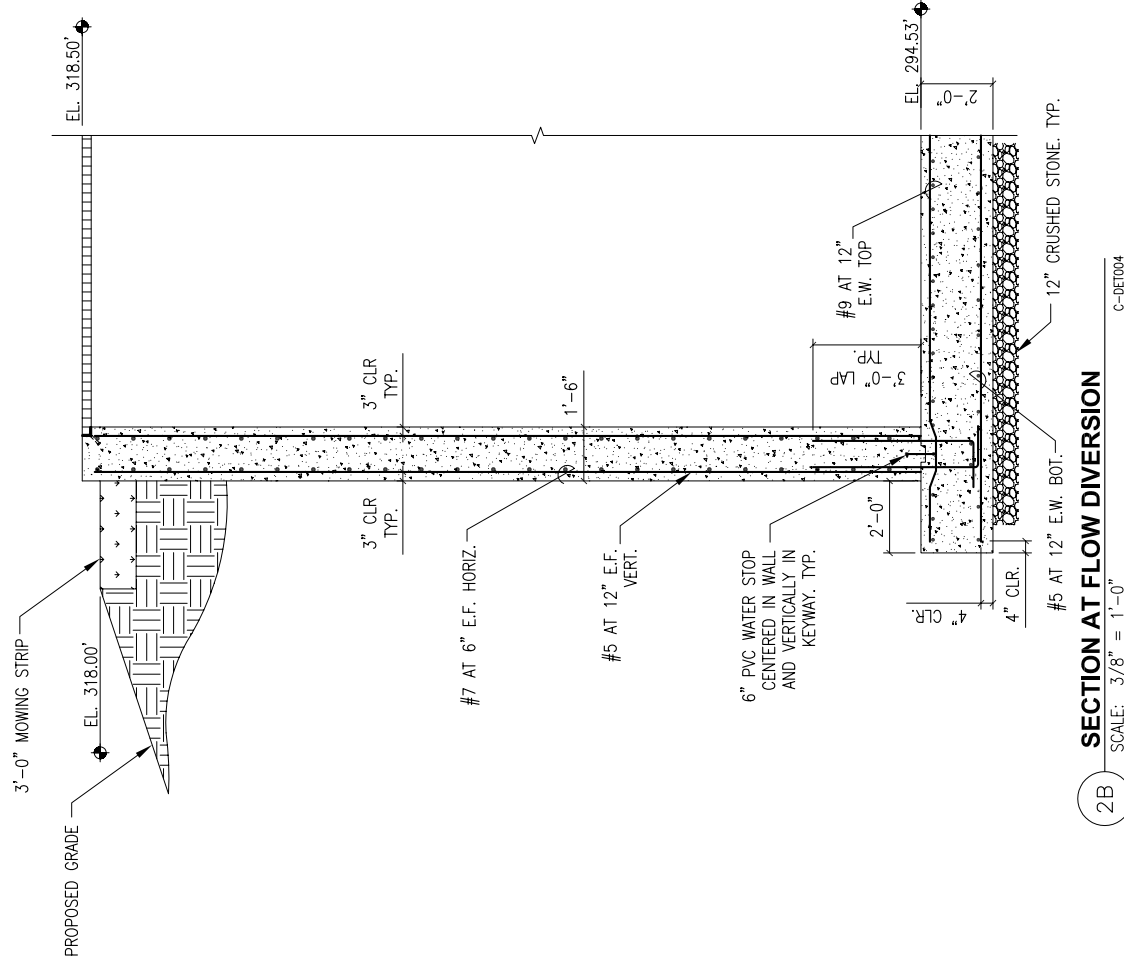
C-DET007

COORDINATE ALL OPENINGS DIMENSIONS AND LOCATIONS. TYP.



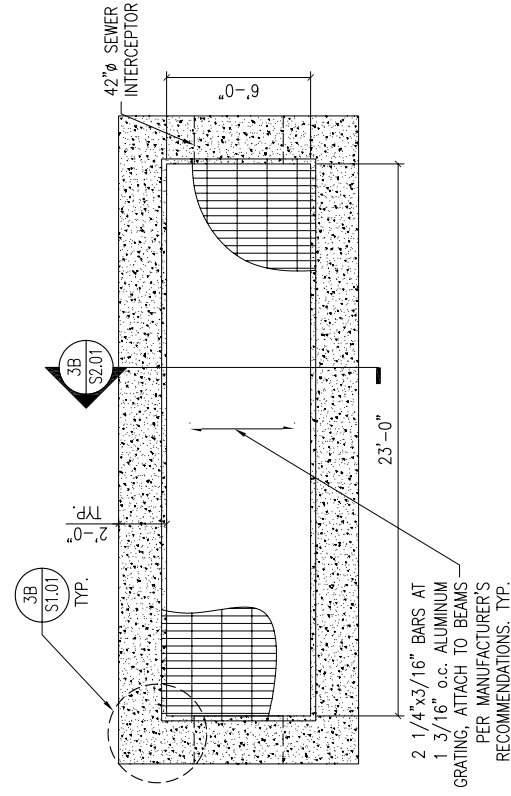
1C FOUNDATION PLAN AT FLOW METERING
SCALE: 1/4"=1'-0"

6:\16535.05\C-DET006



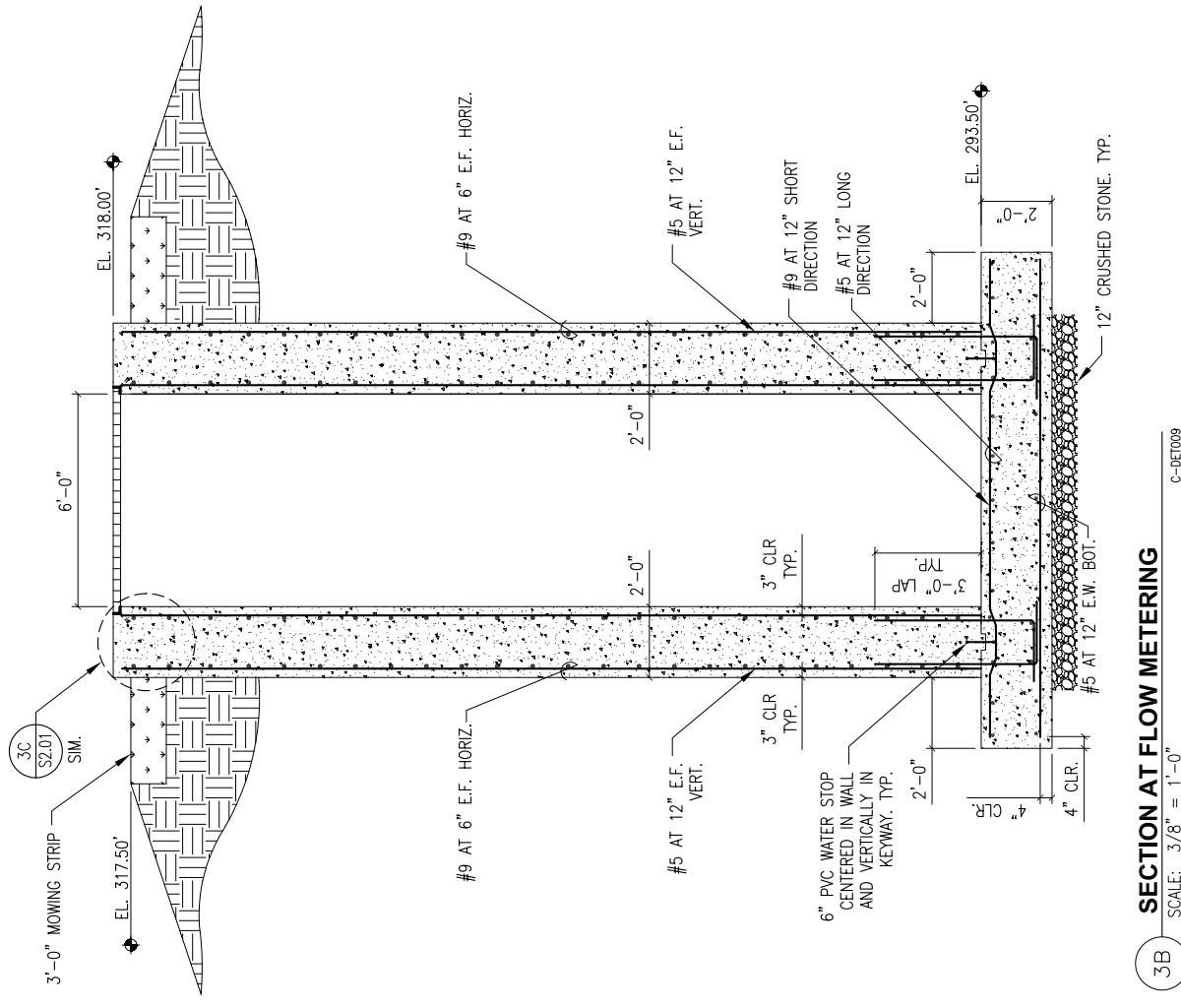
2B SECTION AT FLOW DIVERSION
SCALE: 3/8"=1'-0"

C-DET004



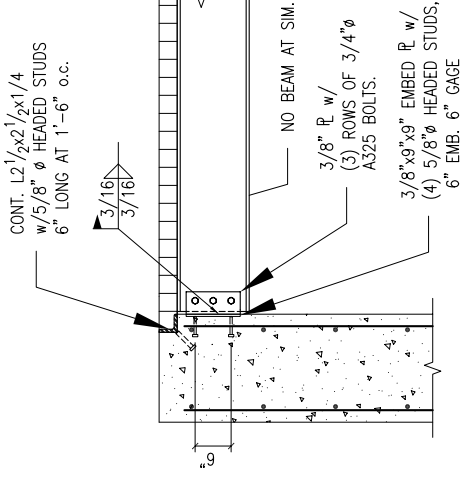
2C PLATFORM PLAN AT FLOW METERING
SCALE: 1/4"=1'-0"

C-DET008



3B SECTION AT FLOW METERING
SCALE: 3/8"=1'-0"

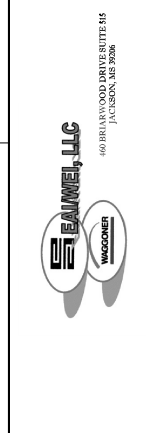
C-DET009



3C SECTION
SCALE: N.T.S.

C-DET010

DESIGNED	YAS	DATE	OCTOBER 2003
DRAWN	AC	SCALE	AS SHOWN
CHECKED	YAS	JOB NO.	16535.05
NO.	DATE	BY	APP'D
REVISIONS			



100% SET

DESOTO COUNTY REGIONAL UTILITY AUTHORITY
UPPER CAMP CREEK INTERCEPTOR NORTH
DESOTO COUNTY, MISSISSIPPI

STRUCTURAL PLANS AND DETAILS

PROJECT NO.	16535.05
CONTRACT	1
SHEET	S2.01